

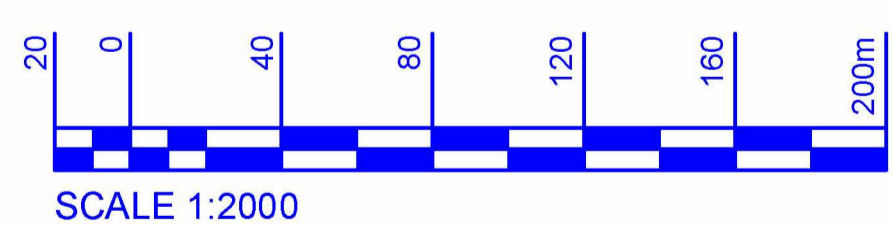
Rectification Unit CA51  
Drying Unit CA41  
Pipe Rack CA05

Air Cooling Area CA91  
Machine House CA02

CO2 Storage Area CA61

CO2 Ship Loading Area CA63

PRELIMINARY



ISSUE	DATE	STATUS	DIVISION	ORIGINATOR	REVIEWED	APPROVED	DESCRIPTION
05	15.05.2022		S12*	S12*	S12*	S12*	First Draft Feed Phase
04	05.11.2021						
03	24.09.2021						
02	03.09.2021						
01	27.08.2021						First Draft

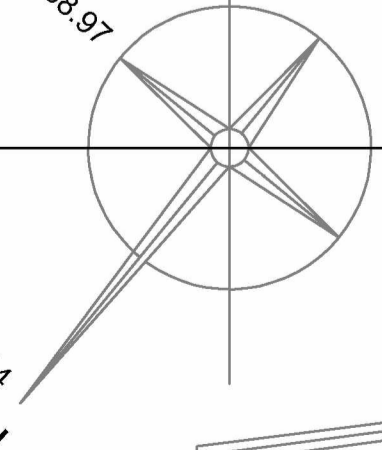
PLANT DESCRIPTION	
Carbon Capture Storage Plant, Sluiskil	
LINDE PROJECT NO. 3710A3T8	CLIENT PROJECT NO. 16471
LINDE PROJECT CODE Sluiskil	CLIENT PROJECT CODE CACTUS

TITLE			
Overall Plot Plan			
SCALE 1:2000	SIZE A1	LINDE DOC. NO. &AE-0000-L-ZP 1001(EN)	SHEET SHEETS REV 00 1 OF 1
		YARA DOC. NO. 16471-P56-00006	

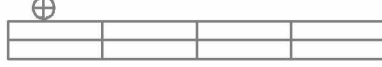
Plant East 150m

Y(RD-stelsel)=367068.97

X(RD-stelsel)=48073.14



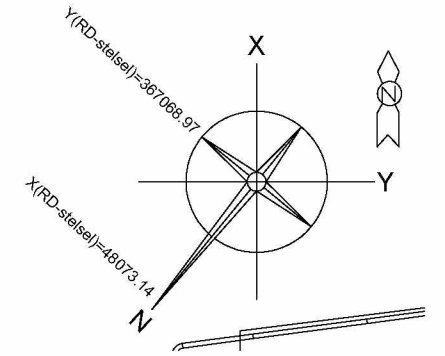
100m





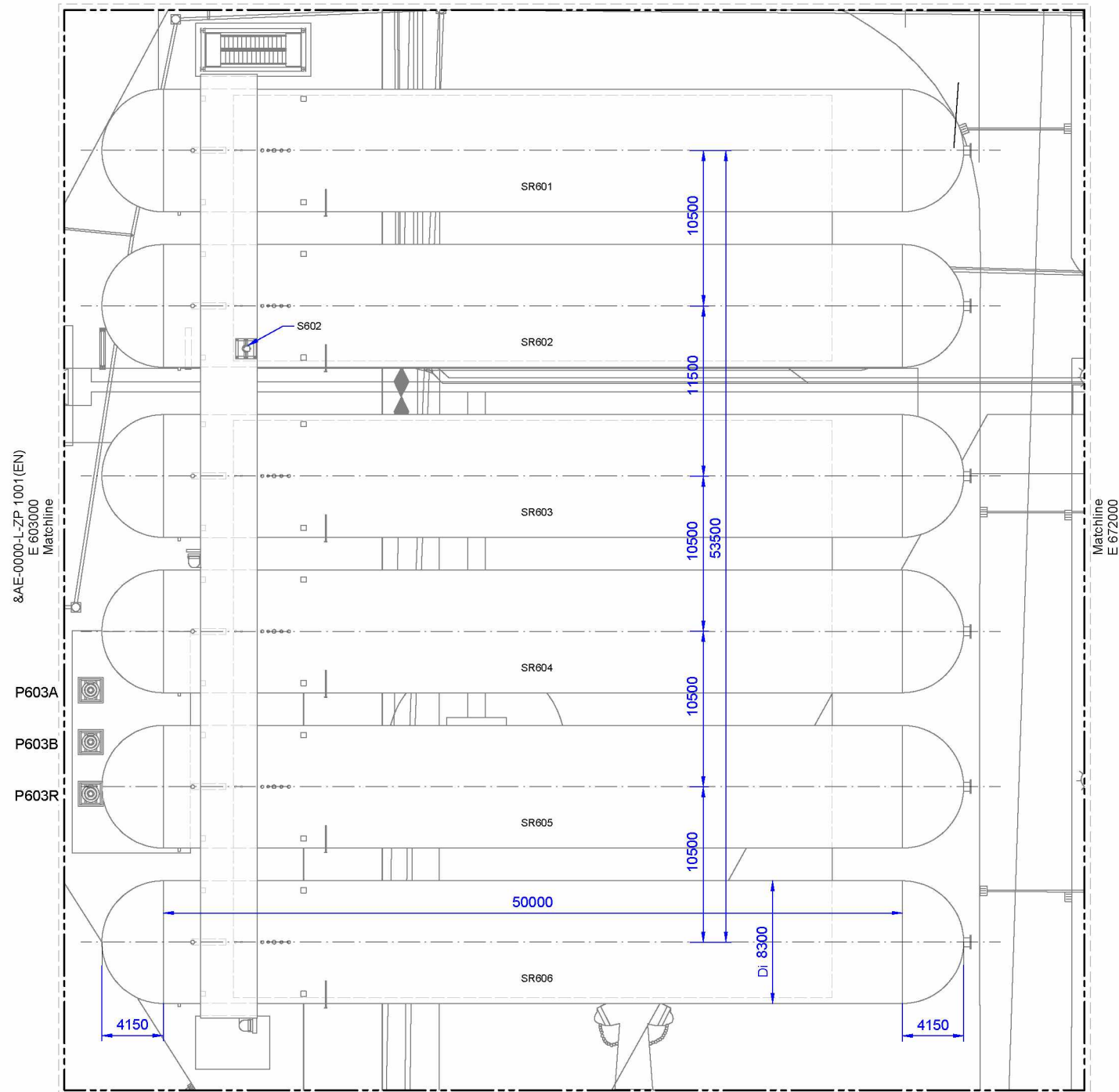
**top view**

Looking Plan  
SCALE: 1:200



**CA61**

&AE-0000-L-ZP 1001(EN)  
N 876000  
Matchline



&AE-0000-L-ZP 1001(EN)  
E 603000  
Matchline

P603A

P603B

P603R

Matchline  
E 672000  
&AE-0000-L-ZP 1001(EN)

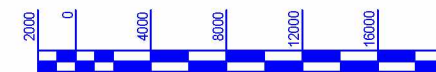
Matchline  
N 803000  
&AE-0000-L-ZP 1001(EN)

Construction Areas	
CA00	Area not in LEED scope
CA02	CO2 Compression / Refrigeration (Machine House)
CA03	Field Installation
CA05	Pipe Rack
CA41	Drying Unit
CA51	Rectification Unit
CA61	Tank Farm Unit
CA63	Ship Loading Unit
CA91	Cooling Water Unit

Equipments Tank Area	
P603 A/B/R	CO2 Loading Pump
S602	Silencer Storage
SR601	CO2 Storage Tank
SR602	CO2 Storage Tank
SR603	CO2 Storage Tank
SR604	CO2 Storage Tank
SR605	CO2 Storage Tank
SR606	CO2 Storage Tank

**Notes:**

- Reference Drawing &AE-0000-L-ZP 1010(EN)  
"Equipment Arrangement Drawing Tank Farm Sections"



ISSUE	DATE	STATUS	DIVISION	ORIGINATOR	REVIEWED	APPROVED	DESCRIPTION
2.0	06 09 2022						
1.0	22 07 2022						First Draft

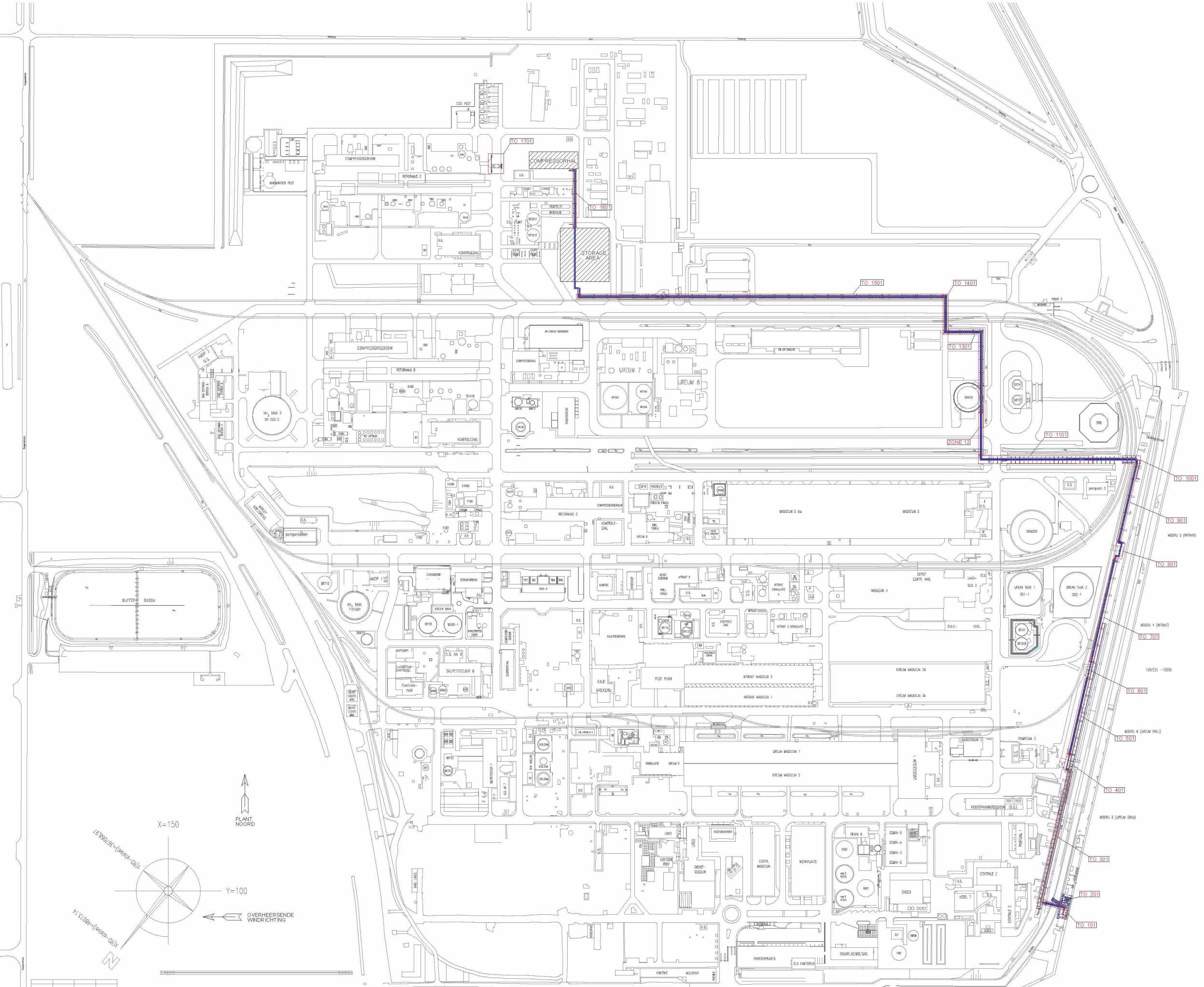
PLANT DESCRIPTION: Carbon Capture Storage Plant, Sluiskil

LINDE PROJECT NO. 3710A3T8	CLIENT PROJECT NO. 18471
PROJECT CODE Suiskil	CLIENT PROJECT CODE CACTUS

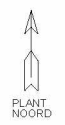
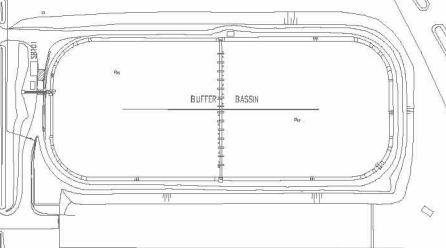
**CONFIDENTIAL** - ©Linde GmbH - The reproduction, distribution and utilization of this document as well as the communication of its contents to others without express authorization are prohibited. Offences will be held liable for the payment of damages. All rights reserved in the event of a patent, utility model or design.

TITLE: Equipment Arrangement Drawing  
Tank Farm  
Top View

SCALE: 1:200	SIZE: A1	LINDE DOC NO.: &AE-0000-L-ZP 1009(EN)	YARA DOC NO.: 16471-P57-00005	SHEET: 1	SHEETS: 1
--------------	----------	---------------------------------------	-------------------------------	----------	-----------



**ZONE 12** = Opgenomen in tekeningen TO\_1101 en TO\_1301



X=150

Y=100

OVERHEERSENDE WINDRICHTING

Bovenzicht  
SCHAAL 1:1500

<table border="1"> <tr> <th>Rev.</th> <th>Drawn</th> <th>Check</th> <th>Appr.</th> <th>Date</th> <th>Description</th> </tr> <tr> <td> </td> <td> </td> <td> </td> <td> </td> <td> </td> <td> </td> </tr> </table>	Rev.	Drawn	Check	Appr.	Date	Description							<p>Projectnaam: YARA SLUISKIL          Project: PIPERACKS CCS PROJECT          Plaats: FLAKVIEW          Tekening: DRAWING PARTITION</p>	<p>1512.2022          1512.2022          1512.2022</p>	<p>Voor omgevingsvergunning</p>
Rev.	Drawn	Check	Appr.	Date	Description										
<p>4922005</p>	<p>1512.2022 1:1500</p>	<p>1512.2022</p>	<p>1512.2022</p>												
<p>A0</p>	<p>This document shall not be reproduced, lent or otherwise disposed of, without YTP written approval</p>	<p>No</p>	<p>TO_002</p>												